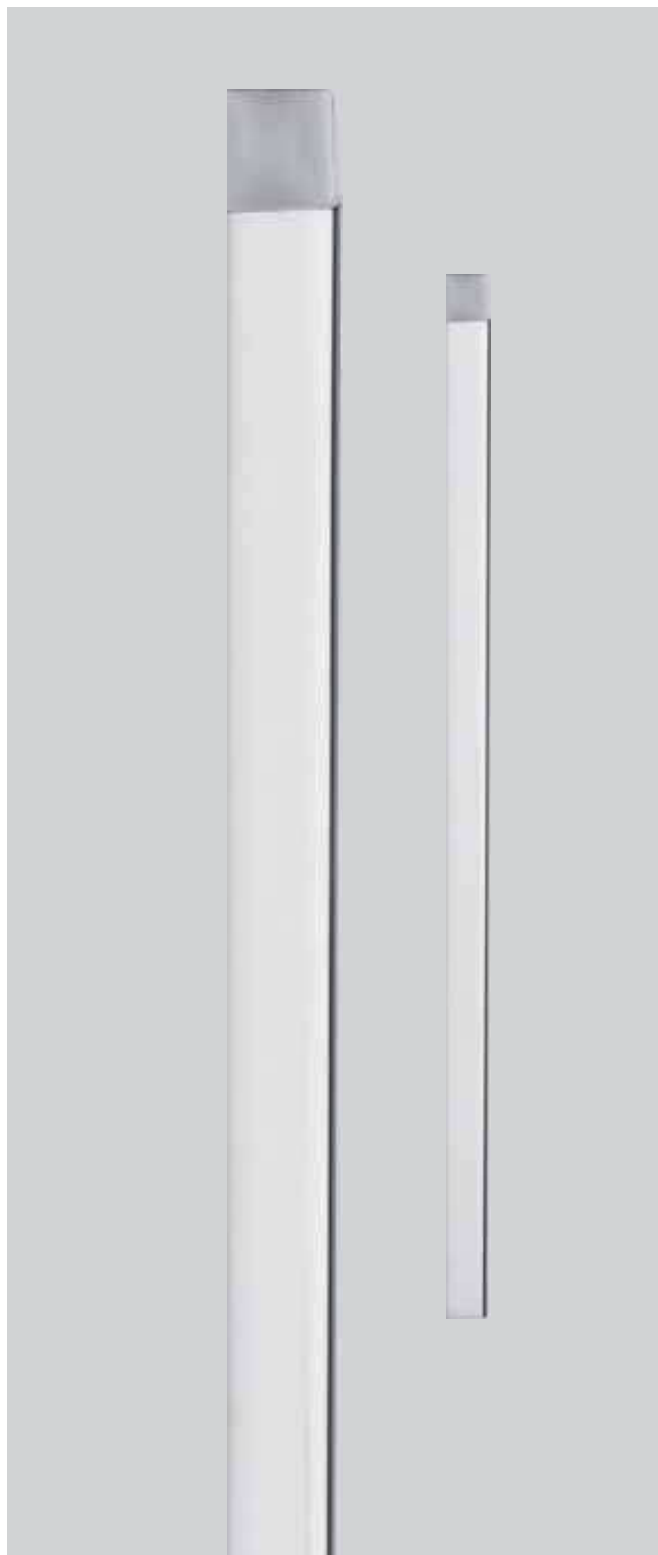


# MANIGLIONI AD INCOLLAGGIO

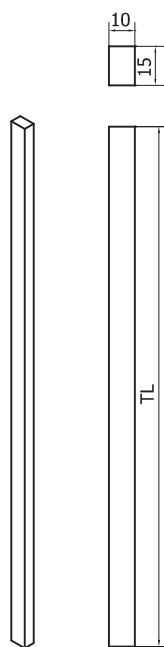
## PULLHANDLES WITH SELF-ADHESIVE / STOSSGRIFFE SELBSTKLEBEND



### SQUARE 10-INC

€ F.35

| ∅       | Code         | TL  | Materiale Material            | Unit.               | Finitura Finishes Oberfläche |
|---------|--------------|-----|-------------------------------|---------------------|------------------------------|
| 10 x 15 | 10.41.81/300 | 300 | Alluminio Aluminium Aluminium | Singolo Piece Stück | AN                           |
| 10 x 15 | 10.41.51/300 | 300 | Ottone Brass Messing          | Singolo Piece Stück | CR                           |
| 10 x 15 | 10.41.61/300 | 300 | Alluminio Aluminium Aluminium | Singolo Piece Stück | CR EFFECT                    |
| 10 x 15 | 10.41.71/300 | 300 | Alluminio Aluminium Aluminium | Singolo Piece Stück | NO                           |
| 10 x 15 | 10.41.81/500 | 500 | Alluminio Aluminium Aluminium | Singolo Piece Stück | AN                           |
| 10 x 15 | 10.41.51/500 | 500 | Ottone Brass Messing          | Singolo Piece Stück | CR                           |
| 10 x 15 | 10.41.61/500 | 500 | Alluminio Aluminium Aluminium | Singolo Piece Stück | CR EFFECT                    |
| 10 x 15 | 10.41.71/500 | 500 | Alluminio Aluminium Aluminium | Singolo Piece Stück | NO                           |



MANIGLIE  
MANIGLIONI



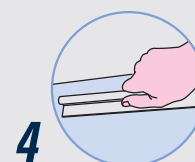
- Pulire con solvente
  - Clean with solvent
  - Mit Lösungsmittel reinigen



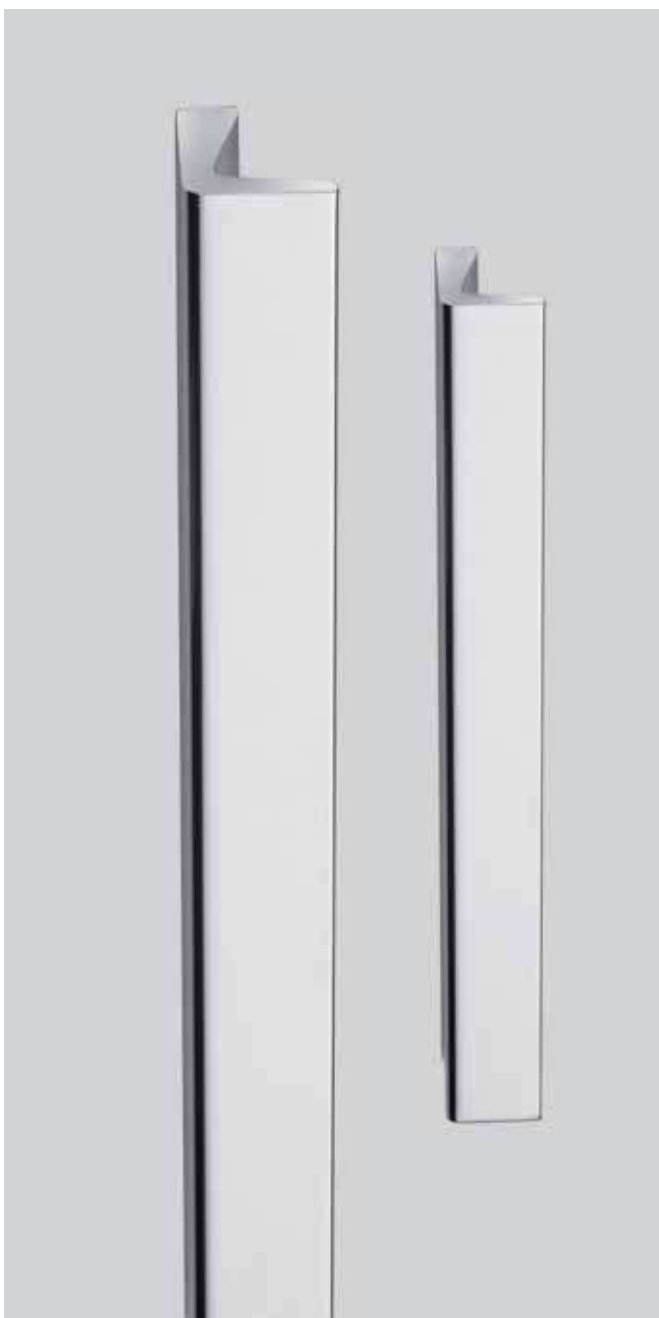
- Asciugare con un panno
  - Dry with a cloth
  - Mit einem Tuch trocknen



- Staccare la pellicola protettiva e applicare
  - Remove the protective film and apply
  - Die Schutzfolie abziehen und anbringen

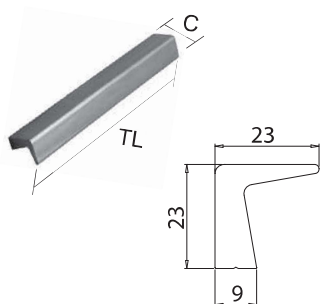


- Premere con forza
  - Press firmly
  - Fest drücken

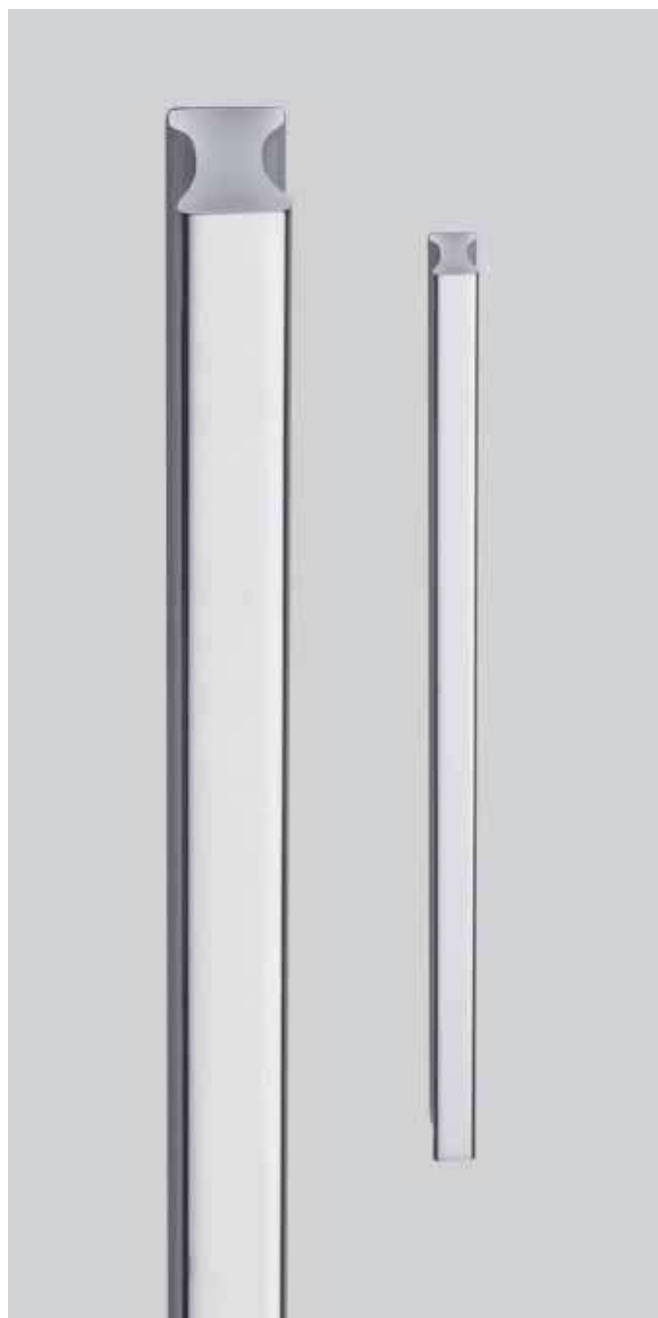

**POR-0400 V**

F.36

- Maniglione alluminio senza fori nel vetro ad incollaggio con biadesivo 3M
- Pullhandle in aluminium without holes in glass fixing with 3M self-adhesive
- Stossgriffe aus Aluminium ohne Glasbearbeitung selbstklebend

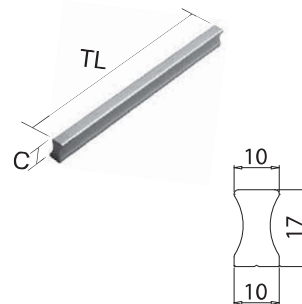


| TL  | C  | Unit.                     | Finitura<br>Finishes<br>Oberfläche |
|-----|----|---------------------------|------------------------------------|
| 240 | 23 | Singolo<br>Piece<br>Stück | AN                                 |
|     |    |                           | CR                                 |
|     |    |                           | NS                                 |
| 390 | 23 | Singolo<br>Piece<br>Stück | AN                                 |
|     |    |                           | CR                                 |
|     |    |                           | NS                                 |
| 540 | 23 | Singolo<br>Piece<br>Stück | AN                                 |
|     |    |                           | CR                                 |
|     |    |                           | NS                                 |


**POR-0408 V**

F.37

- Maniglione alluminio senza fori nel vetro ad incollaggio con biadesivo 3M
- Pullhandle in aluminium without holes in glass fixing with 3M self-adhesive
- Stossgriffe aus Aluminium ohne Glasbearbeitung selbstklebend



| TL  | C  | Unit.                     | Finitura<br>Finishes<br>Oberfläche |
|-----|----|---------------------------|------------------------------------|
| 260 | 17 | Singolo<br>Piece<br>Stück | AN                                 |
|     |    |                           | CR                                 |
|     |    |                           | NS                                 |
| 410 | 17 | Singolo<br>Piece<br>Stück | AN                                 |
|     |    |                           | CR                                 |
|     |    |                           | NS                                 |
| 560 | 17 | Singolo<br>Piece<br>Stück | AN                                 |
|     |    |                           | CR                                 |
|     |    |                           | NS                                 |

# MANIGLIONI MINI Ø 16 - Ø 15 / MANIGLIONI PULLHANDLES / STOSSGRIFFE

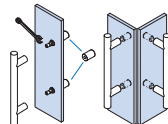
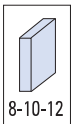
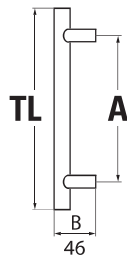


## ROUND MINI Ø 16

- Maniglione inox
- Pullhandle inox
- Stossgriff inox

IX - IL

|    |     |     |     |
|----|-----|-----|-----|
| TL | 225 | 300 |     |
|    | 135 | •   | Ø 9 |
| A  | 200 | •   | Ø 9 |



Option with Knob **B-177** page **▶ 175**

€ ▶ **F.114**

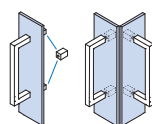
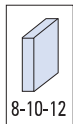


## SQUARE MINI Ø 15

- Maniglione inox.
- Pullhandle inox.
- Stossgriff Inox.

IX - IL

|    |     |     |     |     |
|----|-----|-----|-----|-----|
| TL | 150 | 215 | 315 |     |
|    | 135 | •   | •   | Ø 9 |
| A  | 200 | •   | •   | Ø 9 |
|    | 300 | •   | •   | Ø 9 |



Option with Knob **B-178** page **▶ 175**

€ ▶ **F.115**

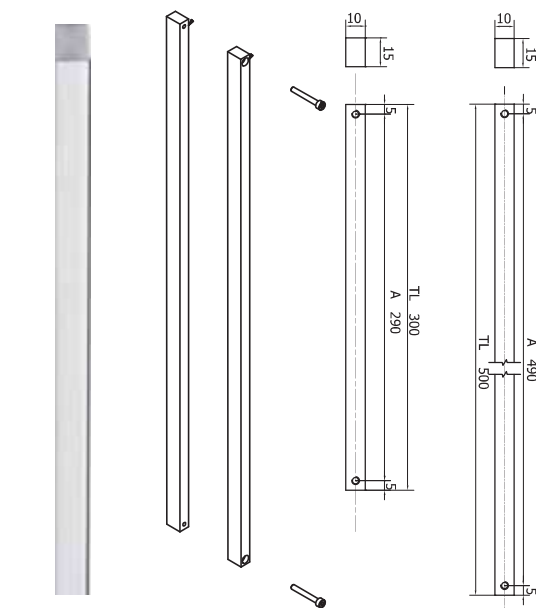
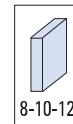
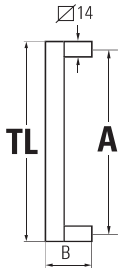


## SQUARE Alu Ø 14

- Maniglione. Materiale: Alluminio
- Pullhandle. Material: Aluminium
- Stossgriff. Material: Aluminium

AN - CR

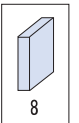
|    |     |     |     |       |
|----|-----|-----|-----|-------|
| TL | 174 | 206 | 334 |       |
|    | 160 | •   | •   | Ø 8,5 |
| A  | 192 | •   | •   | Ø 8,5 |
|    | 320 | •   | •   | Ø 8,5 |



## SQUARE 10

- Maniglione
- Pullhandle
- Stossgriff

AN - CR - NS



| ☑ | Code                     | A   | TL  |   | Materiale<br>Material<br>Material   | Unit.<br>Pair<br>Paar | Finitura<br>Finishes<br>Oberfläche |
|---|--------------------------|-----|-----|---|-------------------------------------|-----------------------|------------------------------------|
|   | 10 x 15 10.41.53/290.300 | 290 | 300 | 8 | Ottone<br>Brass<br>Messing          | Paio<br>Pair<br>Paar  | CR                                 |
|   | 10 x 15 10.41.63/290.300 | 290 | 300 | 8 | Alluminio<br>Aluminium<br>Aluminium | Paio<br>Pair<br>Paar  | CR<br>EFFECT                       |
|   | 10 x 15 10.41.73/290.300 | 290 | 300 | 8 | Alluminio<br>Aluminium<br>Aluminium | Paio<br>Pair<br>Paar  | NO                                 |
|   | 10 x 15 10.41.53/490.500 | 490 | 500 | 8 | Ottone<br>Brass<br>Messing          | Paio<br>Pair<br>Paar  | CR                                 |
|   | 10 x 15 10.41.63/490.500 | 490 | 500 | 8 | Alluminio<br>Aluminium<br>Aluminium | Paio<br>Pair<br>Paar  | CR<br>EFFECT                       |

MANIGLIE  
MANIGLIONI



Foro vetro  
Glass hole  
Glasbohrung

**IX**  
Acciaio inox satinato  
Satin stainless steel  
Edelstahl matt

**CR**  
Cromo lucido  
Polished chrome  
Chrom glänzend

**AN**  
Alluminio anodizzato  
Aluminium anodized  
Aluminium Silberfarbig

**IL**  
Acciaio inox lucido  
Polished stainless steel  
Edelstahl poliert

**NS**  
Nickel satinato  
Satin nickel  
Ähnlich Edelstahl matt

# MANIGLIONI Ø 20 / 25 / 30 - ▨ 19 / 25 / 40

## PULLHANDLES / STOSSGRIFFE



### ROUND 02

- Maniglione
- Pullhandle
- Stossgriff

IX

€▶ F.46

| Ø  | A | 200 | 300 | 500 | 650 | 1000 | 1040 | 1370 |     |
|----|---|-----|-----|-----|-----|------|------|------|-----|
| 20 |   | •   | •   | •   |     |      | •    |      | Ø10 |
| 25 |   |     | •   | •   | •   |      |      |      | Ø12 |
| 30 |   |     |     | •   |     | •    | •    |      | Ø12 |
| 40 |   |     |     |     |     |      |      |      |     |



### SQUARE 41

- Maniglione
- Pullhandle
- Stossgriff

IX

€▶ F.48

| ▨  | A | 200 | 300 | 650 |     |
|----|---|-----|-----|-----|-----|
| 19 |   | •   |     |     | Ø10 |
| 25 |   |     | •   |     | Ø12 |
| 30 |   |     |     |     |     |
| 40 |   |     | •   |     | Ø12 |



### SQUARE 40

- Maniglione
- Pullhandle
- Stossgriff

IX

€▶ F.49

| ▨  | A | 300 |  |     |
|----|---|-----|--|-----|
| 20 |   |     |  |     |
| 25 |   | •   |  | Ø12 |
| 30 |   |     |  |     |
| 40 |   |     |  |     |



### ROUND 10

- Maniglione
- Pullhandle
- Stossgriff

IX

€▶ F.47

| Ø  | A | 300 | 650 | 1000 |     |
|----|---|-----|-----|------|-----|
| 20 |   | •   |     |      | Ø10 |
| 25 |   | •   | •   |      | Ø12 |
| 30 |   |     | •   |      | Ø12 |
| 40 |   |     |     |      |     |



### ROUND 01

- Maniglione
- Pullhandle
- Stossgriff

IX

€▶ F.50

| Ø  | A | 200 | 300 | 350 | 400 | 650 |     |
|----|---|-----|-----|-----|-----|-----|-----|
| 20 |   | •   | •   |     |     |     | Ø10 |
| 25 |   |     | •   | •   | •   |     | Ø12 |
| 30 |   |     |     | •   | •   |     | Ø12 |
| 40 |   |     |     |     |     |     |     |



### ROUND 11

- Maniglione
- Pullhandle
- Stossgriff

IX

€▶ F.51

| Ø  | A | 350 | 620 |     |
|----|---|-----|-----|-----|
| 20 |   |     |     |     |
| 25 |   | •   | •   | Ø12 |
| 30 |   |     |     |     |
| 40 |   |     |     |     |





**ROUND 03**

- Maniglione
- Pullhandle
- Stossgriff

IX

| Ø  | A   |     |     |
|----|-----|-----|-----|
|    | 200 | 275 | 350 |
|    |     |     | 650 |
| 20 |     |     |     |
| 25 |     | •   | Ø12 |
| 30 |     | • • | Ø12 |
| 40 |     |     |     |



€▶ F.53



**ROUND 08**

- Maniglione
- Pullhandle
- Stossgriff

IX

| Ø  | A   |   |     |
|----|-----|---|-----|
|    | 400 |   |     |
| 20 |     |   |     |
| 25 |     |   |     |
| 32 |     | • | Ø12 |
| 40 |     |   |     |



€▶ F.52



**ROUND 09**

- Maniglione
- Pullhandle
- Stossgriff

IX

| Ø  | A   |   |     |
|----|-----|---|-----|
|    | 300 |   |     |
| 20 |     |   |     |
| 25 |     |   |     |
| 32 |     | • | Ø12 |
| 40 |     |   |     |



€▶ F.54

**SET FISSAGGIO SCIOLTI**  
FIXATION SYSTEMS / BEFESTIGUNGSSYSTEME



**FIX-01-20**

- Set fissaggio singolo per maniglioni Ø 20 e filetto M 6
- Set installation for single pullhandle Ø 20 and thread M 6
- Befestigungsset für 1 Stück Stossgriff Ø 20 und Gewinde M 6

€▶ F.55

**FIX-01-25**

- Set fissaggio singolo per maniglioni Ø 25 e filetto M 6
- Set installation for single pullhandle Ø 25 and thread M 6
- Befestigungsset für 1 Stück Stossgriff Ø 25 und Gewinde M 6

€▶ F.56

**FIX-01-30**

- Set fissaggio singolo per maniglioni Ø 30 e filetto M 8
- Set installation for single pullhandle Ø 30 and thread M 8
- Befestigungsset für 1 Stück Stossgriff Ø 30 und Gewinde M 8

€▶ F.57



**FIX-03-20**

- Set fissaggio paio per maniglioni Ø 20 e filetto M 6
- Set installation for pair pullhandles Ø 20 and thread M 6
- Befestigungsset für 1 Paar Stossgriffe Ø 20 und Gewinde M 6

€▶ F.58

**FIX-03-25**

- Set fissaggio paio per maniglioni Ø 25 e filetto M 6
- Set installation for pair pullhandles Ø 25 and thread M 6
- Befestigungsset für 1 Paar Stossgriffe Ø 25 und Gewinde M 6

€▶ F.59

**FIX-03-30**

- Set fissaggio paio per maniglioni Ø 30 e filetto M 8
- Set installation for pair pullhandles Ø 30 and thread M 8
- Befestigungsset für 1 Paar Stossgriffe Ø 30 und Gewinde M 8

€▶ F.60



**FIX-09-20**

- Set fissaggio singolo per maniglioni porta legno Ø 20
- Set installation for single pullhandle Ø 20 - for woode door
- Befestigungsset für 1 Stück Stossgriff Ø 20 für Holztür

€▶ F.61

**FIX-09-25**

- Set fissaggio singolo per maniglioni porta legno Ø 25
- Set installation for single pullhandle Ø 25 - for wooden door
- Befestigungsset für 1 Stück Stossgriff Ø 25 für Holztür

€▶ F.62

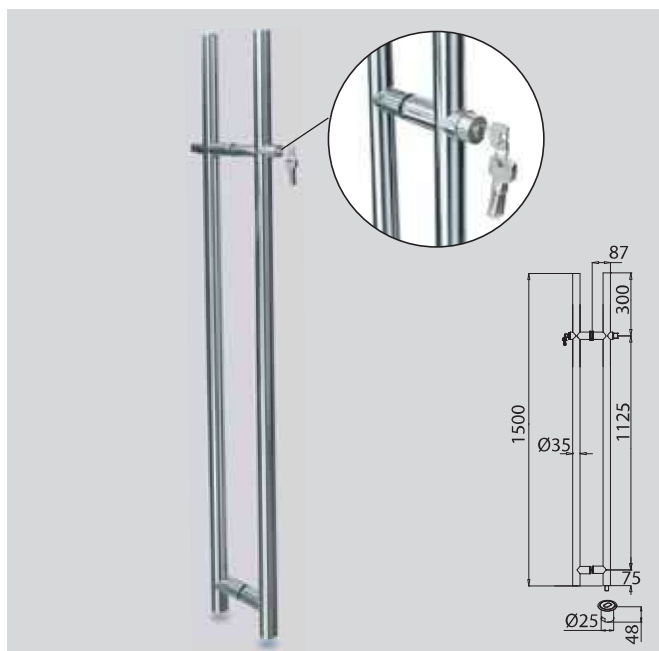
**FIX-09-30**

- Set fissaggio singolo per maniglioni porta legno Ø 30
- Set installation for single pullhandle Ø 30 - for wooden door
- Befestigungsset für 1 Stück Stossgriff Ø 30 für Holztür

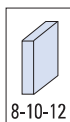
€▶ F.63

# MANIGLIONI CON SERRATURA DUOLOCK

## PULLHANDLES WITH LOCK DUOLOCK / VERSPERBARE STOSSGRIFFE DUOLOCK

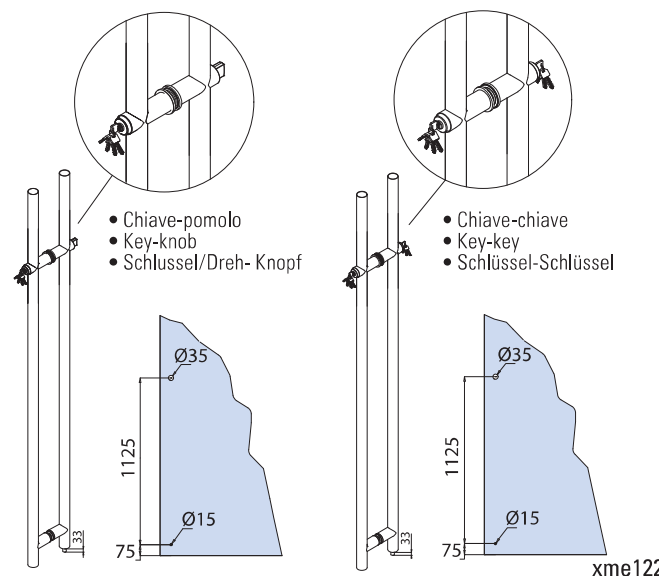


- 35.DL.13/1125.1500** €► F.65
- Duolock con serratura incorporata chiave/pomolo
  - Duolock with lock key/knob
  - Duolock mit Schloss Schlüssel/Dreh-knopf

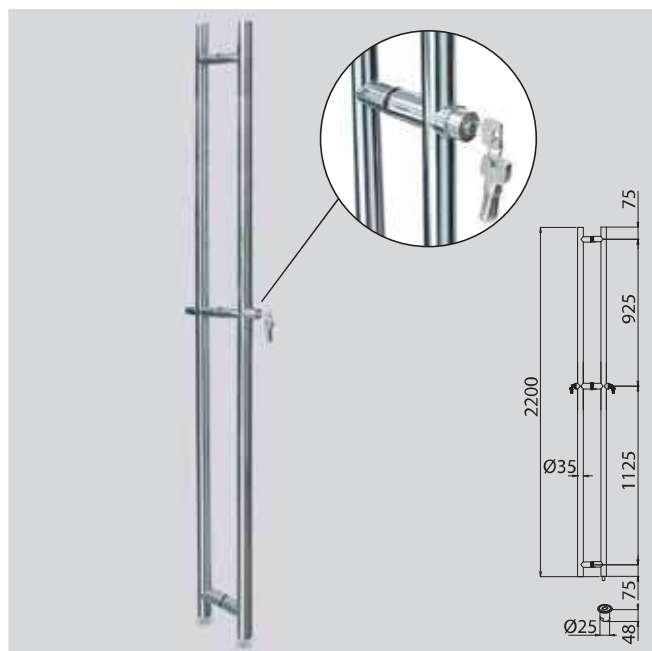


- 35.DLC.13/1125.1500** €► F.65
- Duolock con serratura incorporata chiave/chiave
  - Duolock with lock key/key
  - lock mit Schloss Schlüssel-Schlüssel
- IX

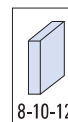
- DL.LEGNO SET** €► F.66
- Set attacchi per montaggio maniglioni Duolock su porte legno spessore 40-50 mm
  - Mounting set for installation on wooden door thickness 40-50 mm for pullhandles Duolock
  - Set für Duolock Stossgriffe Montage an Holztür 40-50 mm



xme122

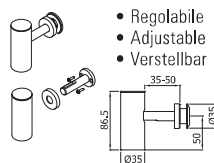


- 35.HD.13/1125.2200** €► F.68
- Duolock con serratura incorporata chiave/pomolo
  - Duolock with lock key/knob
  - Duolock mit Schloss Schlüssel/Dreh-knopf

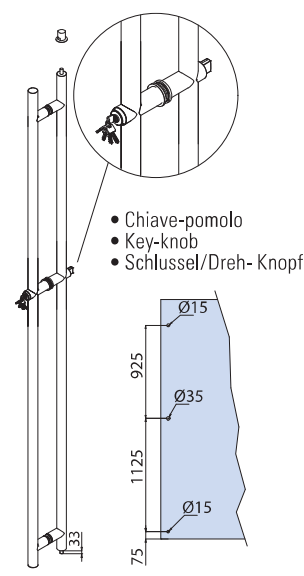
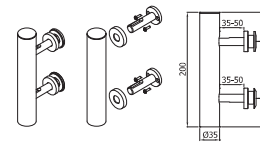


- 35.HDC.13/1125.2200** €► F.68
- Duolock con serratura incorporata chiave/chiave
  - Duolock with lock key/key
  - Duolock mit Schloss Schlüssel-Schlüssel
- IX

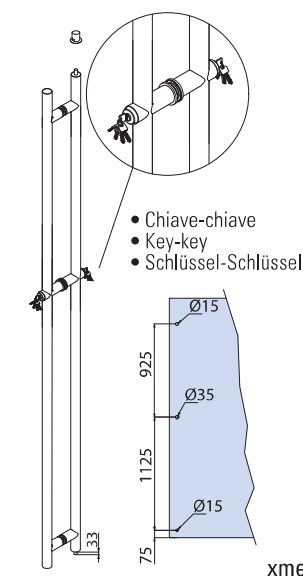
- DL-01** €► F.69
- Incontro superiore ad un punto fissaggio per maniglione Duolock-H.
  - Striker for pullhandle Duolock-H one point fixing.
  - Gegenkasten für Stossgriffe Duolock-H ein Befestigungspunkt.



- DL-02** €► F.70
- Incontro superiore a 2 punti per fissaggio maniglione
  - Two point fixing striker for pull handle Duolock-H
  - Duolock-H Gegenkasten für stossgriffe Duolock-H zwei Befestigungspunkten



xme122



xme122