

CERNIERE A SCATTO

CLICKING HINGES / SELBSTSCHLIESSENDE BÄNDER

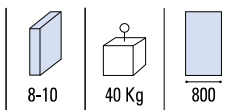
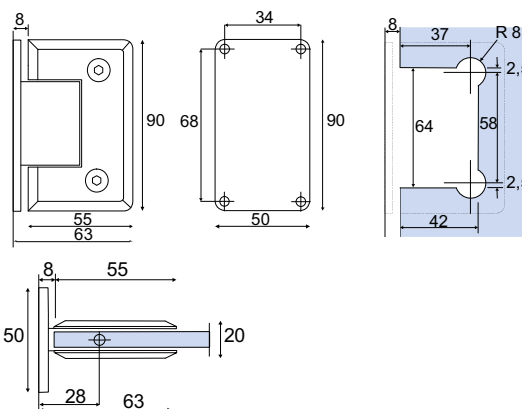


B-400

€ ▶ BX.231

- Cerniera a scatto vetro/muro. Materiale: Zamak.
- Glass to wall double action clicking hinge. Material: Zamak.
- Pendeltürband Glas-Wand. Material: Zamak.

CR - NS



xme403



CERNIERE

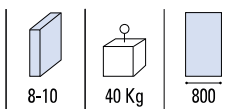
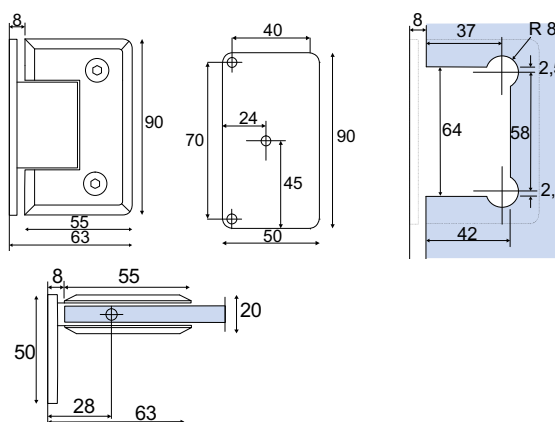


B-401

€ ▶ BX.232

- Cerniera a scatto vetro/muro. Materiale: Zamak.
- Glass to wall double action clicking hinge with offset base. Material: Zamak.
- Pendeltürband Glas-Wand. Material: Zamak.

CR - NS



xme403

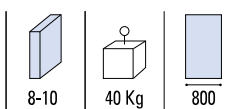
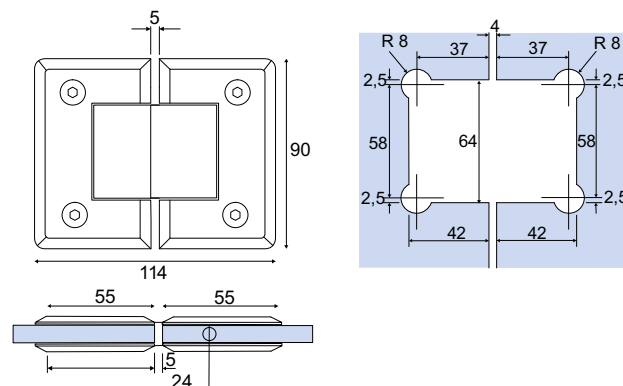


B-402

€ ▶ BX.233

- Cerniera a scatto vetro/vetro. Materiale: Zamak.
- Glass to glass double action clicking hinge. Material: Zamak.
- Pendeltürband Glas-Glas. Material: Zamak.

CR - NS



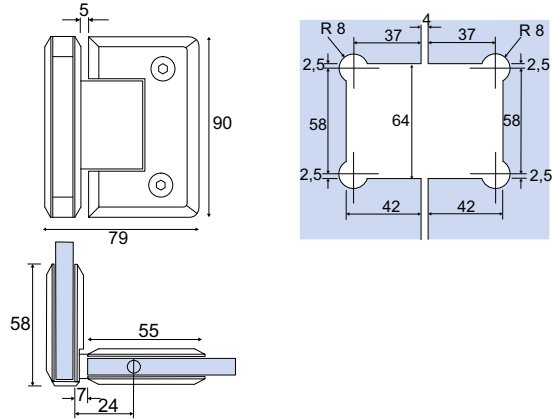
xme403



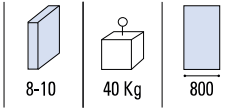
B-405

- Cerniera a scatto vetro/vetro 90°. Materiale: Zamak.
- Glass to glass double action clicking hinge 90°. Material: Zamak.
- Pendeltürband Glas-Glas 90°, beidseitig öffnend. Material: Zamak.

CR - NS



xme403


CR
 Cromo lucido
 Polished chrome
 Chrom glänzend

NS
 Nickel satinato
 Satin nickel
 Ähnlich Edelstahl matt