

BOX DOCCIA SEPARÉ

SHOWERS AREA SEPARÉ
 DUSCHTRENNWAND SEPARÉ



SEPARÉ

► 178



- BARRE DI SUPPORTO QUADRE REGOLABILI
- ADJUSTABLE SQUARE SUPPORT BARS
- VERSTELLBARE ECKIGE STABILISATIONSSTANGEN

► 180



- BARRE DI SUPPORTO QUADRE
- SQUARE SUPPORT BARS
- ECKIGE STABILISATIONSSTANGEN

► 184



- BARRE DI SUPPORTO TONDE
- ROUND SUPPORT BARS
- RUNDE STABILISATIONSSTANGEN

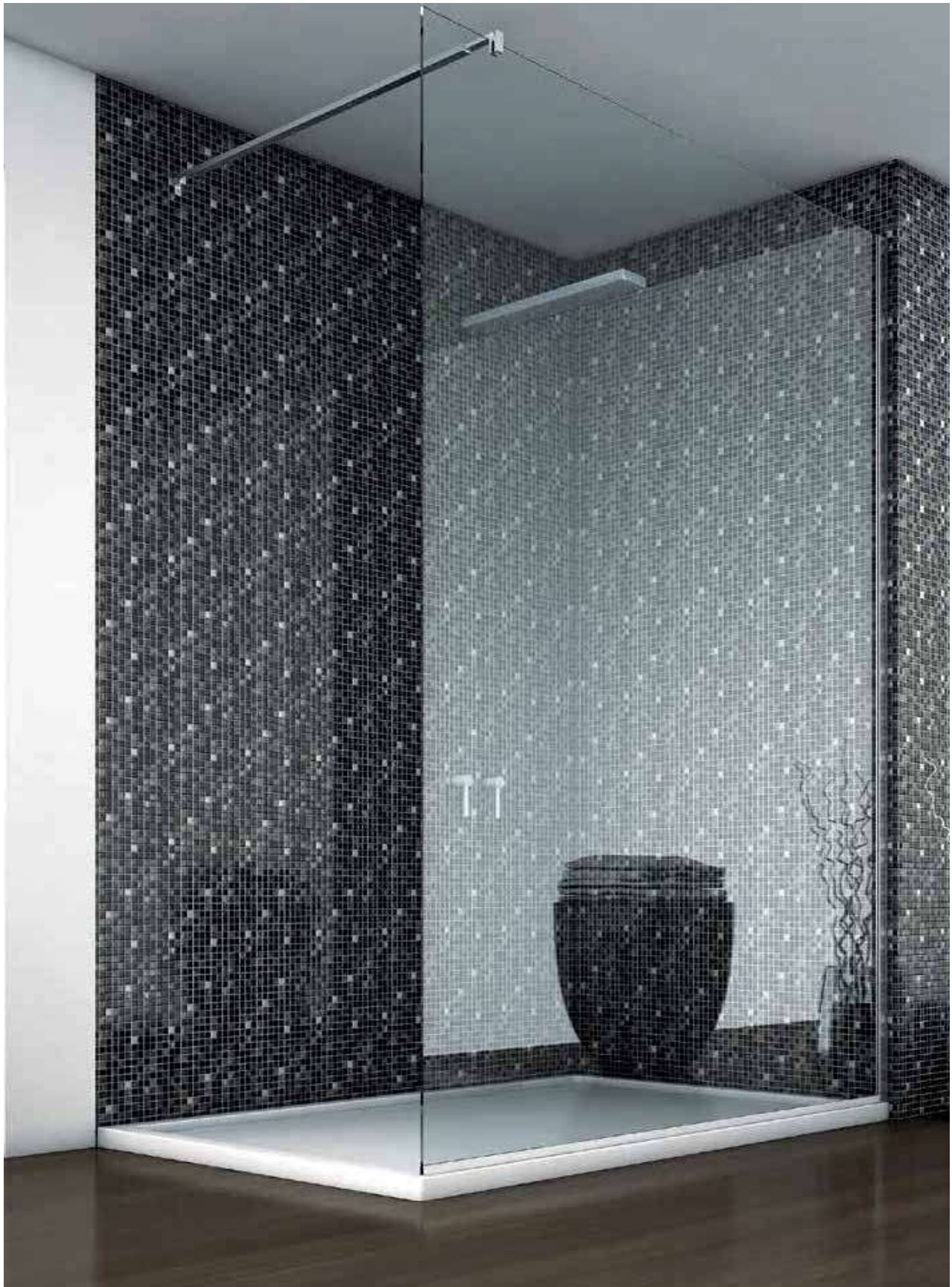
► 185



SEPARÉ

SEPARÉ

BOX DOCCIA SEPARÉ / SHOWERS AREA SEPARÉ / DUSCHTRENNWAND SEPARÉ

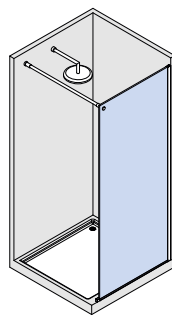
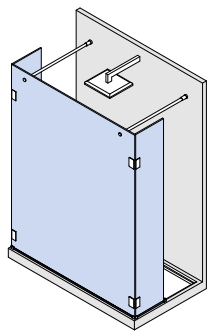
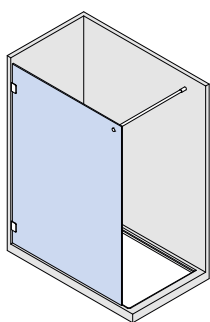


SEPARÉ

- Sistema per docce aperte tutto vetro senza porte.
- Walk-in systems for open shower areas without doors.
- Walk-in Systeme für offene Duschen ohne Türen.



- Alcune tipologie di applicazione
- Some application typologies
- Einigen kompositionsmöglichkeiten des system



SEPARÉ

BARRE DI SUPPORTO QUADRE SNODATE SQUARE SQUARE SUPPORT BARS / ECKIGE STABILISATIONSTANGEN

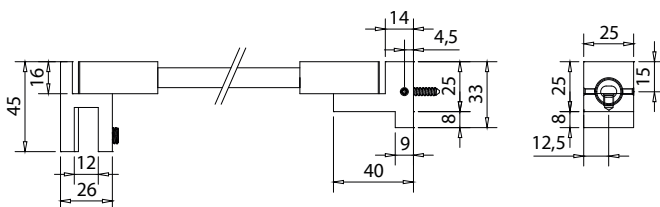


B-328

- Barra di supporto snodata Square riducibile a piacere muro/vetro.
- Square adjustable support bar wall/glass, it is possible to cut the bar to adjust its size.
- Eckige Stabilisationsstange Wand/Glas, beliebig Kürzbar.

€ ▶ BX.302

| ART. | Lunghezza (A) Length (A) Länge (A) | Finitura Finish Oberflächen | | |
|-------------------|--|-----------------------------------|----|-------|
| | | CR | NS | NO |
| B-328-500 | 500 mm | CR | NS | NO |
| B-328-1000 | 1000 mm | CR | NS | NO OR |
| B-328-1500 | 1500 mm | | IL | NO OR |



B-328-F

- Barra di supporto snodata a muro con attacco fisso a vetro B-324.
- Square support bar with adjustable wall connector and fixed glass connector B-324.
- Eckige Stabilisationsstange Wandanschluss vestellbar, Glasanschluss fest B-324.

€ ▶ BX.303

| ART. | Lunghezza (A) Length (A) Länge (A) | Finitura Finish Oberflächen | | |
|---------------------|--|-----------------------------------|----|----|
| | | CR | NS | NO |
| B-328-F-500 | 500 mm | CR | NS | NO |
| B-328-F-1000 | 1000 mm | CR | NS | NO |
| B-328-F-1500 | 1500 mm | | IL | NO |

C-272-A

COMPONENTI / COMPONENTS / EINZELTEILE



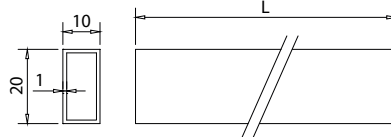
SEPARÉ



B-318

- Barra centrale Square riducibile a piacere.
- Square centre bar possible to cut to adjust its size.
- Eckige Stange beliebig Kürzbar.

€ ▶ BX.304



| ART. | Lunghezza (A) Length (A) Länge (A) | Finitura Finish Oberflächen | | |
|-------------------|--|-----------------------------------|----|-------|
| | | CR | NS | NO |
| B-318-500 | 500 mm | CR | NS | NO |
| B-318-1000 | 1000 mm | CR | NS | NO OR |
| B-318-1500 | 1500 mm | | IL | NO OR |

CR
Cromo lucido
Polished chrome
Chrom glänzend

NS
Nickel satinato
Satin nickel
Ähnlich Edelstahl matt

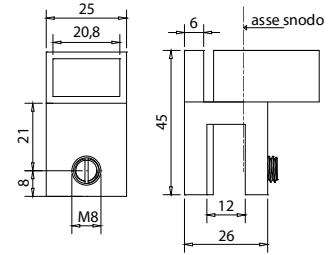
IL
Acciaio inox lucido
Polished stainless steel
Edelstahl poliert

NO
Nero opaco
Matt black
Schwarz matt

OR
Oro opaco
Matt gold
Gold matt


B-320

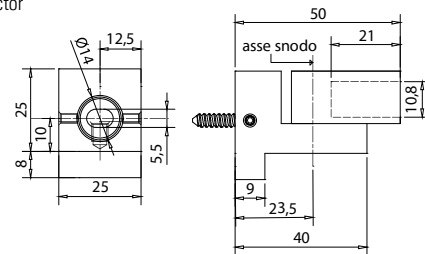
- Attacco a vetro snodato per barra di supporto quadra.
 - Adjustable glass connector for square support bar.
 - Eckige Stabilisationsstange Glasanschluss verstellbar.
- CR - NS - NO - OR



C-272-C


B-319

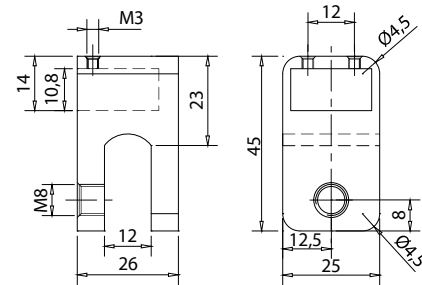
- Attacco a muro snodato per barra di supporto quadra.
 - Adjustable wall connector for square support bar.
 - Eckige Stabilisationsstange Wandanschluss verstellbar.
- CR - NS - NO - OR



C-272-B


B-324

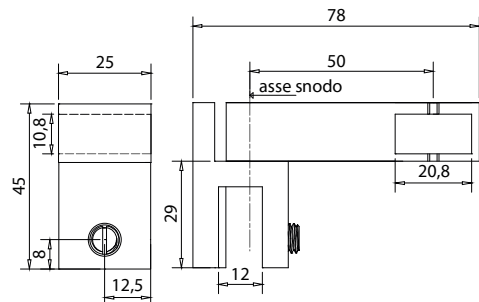
- Attacco a vetro chiuso.
 - Glass connector for square support bar.
 - Eckige Stabilisationsstange Glasanschluss.
- CR - NS - NO



C-272-D


B-325

- Supporto centrale snodato per vetro fisso laterale.
 - Adjustable T-connector side glass to support bar.
 - Verstellbares T-Stück für Glas/Stange.
- CR - NS - NO - OR



C-272-F

CR
Cromo lucido
Polished chrome
Chrom glänzend

NS
Nickel satinato
Satin nickel
Ähnlich Edelstahl matt



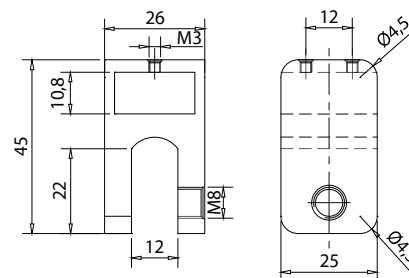
SEPARÉ



B-322

- Attacco a vetro in linea passante.
 - Glass connector in-line for passage support bar.
 - Glasanschluss in Linie für Stabilisationsstange durchgehend.
- CR - NS

➔ BX.308



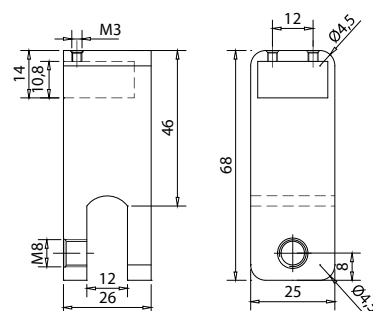
C-272-E



B-323

- Attacco a vetro chiuso per barra di supporto quadra.
 - Glass connector for square support bar.
 - Eckige Stabilisationsstange Glasanschluss.
- CR - NS

➔ BX.309



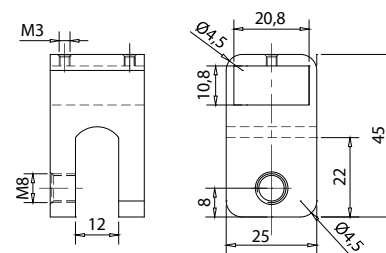
C-272-D



B-321

- Attacco a vetro 90° passante.
 - Glass connector 90° for passage support bar.
 - Glasanschluss 90° für Stabilisationsstange durchgehend.
- CR - NS

➔ BX.307



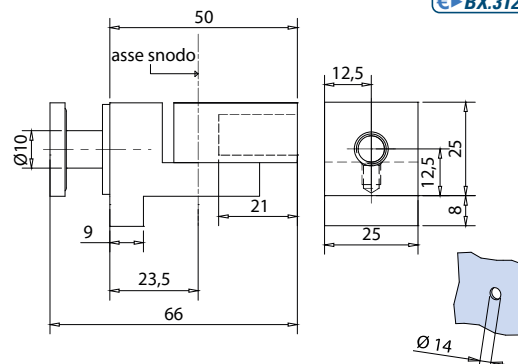
C-272-D



B-326

- Attacco snodato montaggio a vetro.
 - Adjustable connector for glass installation.
 - Verstellbarer Anschluss für Glasmontage.
- CR - NS

➔ BX.312



C-272-G

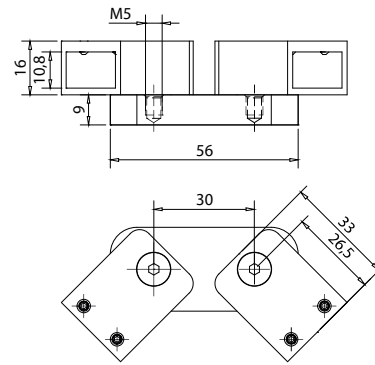
SEPARÉ

| | | | |
|--|--|---|--|
| CR Cromo lucido Polished chrome Chrom glänzend | NS Nickel satinato Satin nickel Ähnlich Edelstahl matt | NO Nero opaco Matt black Schwarz matt | OR Oro opaco Matt gold Gold matt |
|--|--|---|--|



B-327

- Attacco snodato doppio.
 - 2-Ways adjustable connector.
 - Verstellbarer Anschluss 2-Wege
- CR - NS



➔ BX.313

C-272-H



SEPARÉ