

BRIXIA TELESCOPICO



MY METALGLAS

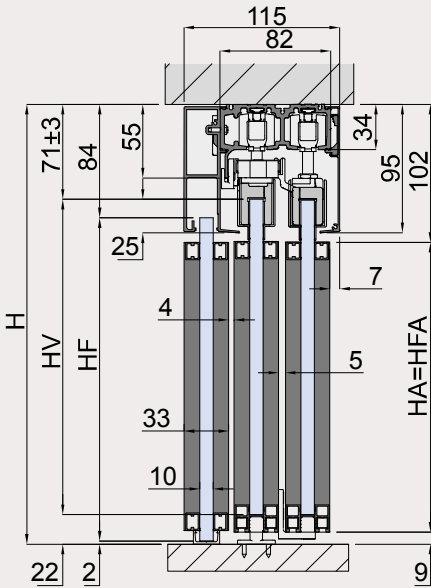
Componi la tua anta per quantificare i traversini da ordinare
 Configure your panel to calculate the cross profiles
 Konfigurieren Sie Ihre Tür und berechnen Sie automatisch die Querprofile

Sliding system	DIV-1225 SYNCHRO	DIV-1275 MECH
Max	100 kg	100 kg
Soft-close	80 kg (optional)	80 kg (optional)

V-1224 OPTIONAL SOFT-CLOSE			
10	520 min 1000 max	700 min 1 pc	970 min 2 pcs

A soffitto
 Ceiling
 Decke

SET 1

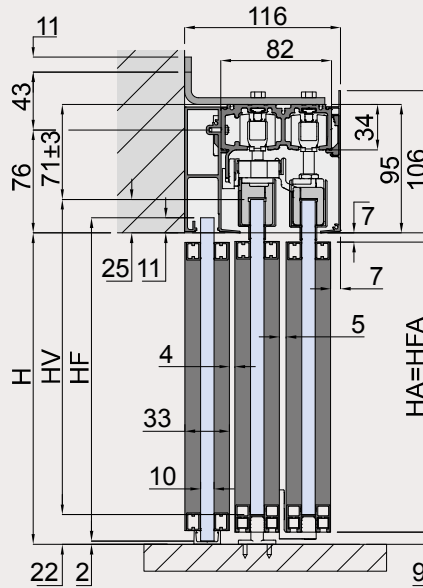


$$\begin{aligned} HV &= H - 93 \\ HF &= H - 86 \\ HA/HFA &= H - 111 \end{aligned}$$

xme661b

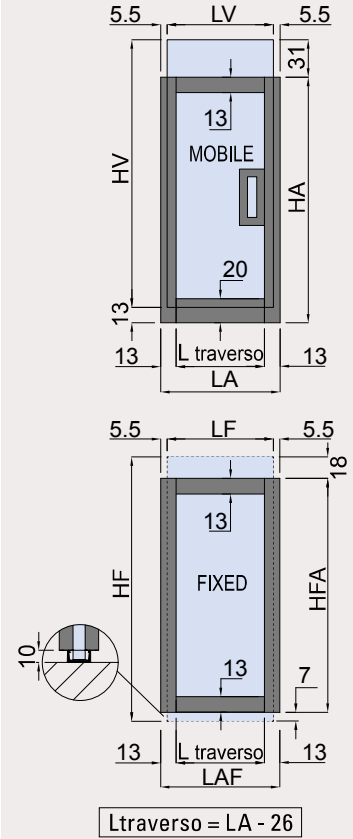
A parete
 Wall
 Wand

SET 2

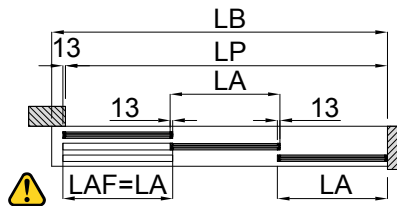
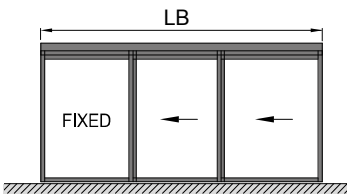


$$\begin{aligned} HV &= H + 3 \\ HF &= H + 9 \\ HA/HFA &= H - 16 \end{aligned}$$

Anta intelaiata "Divina"
 Framed door "Divina"
 Gerahmte Tür "Divina"

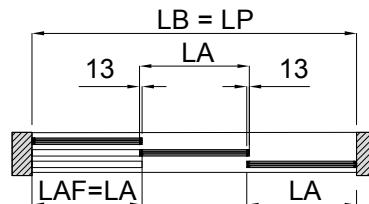


SET 1



$$\begin{aligned} LB &= LP + LA + 100 \\ LA/LAF &= (LP + 39) / 3 \\ LV/LF &= LA - 11 \end{aligned}$$

SET 2



$$\begin{aligned} LB &= LP \\ LA/LAF &= (LP + 26) / 3 \\ LV/LF &= LA - 11 \end{aligned}$$



È obbligatorio rispettare la lunghezza del binario come indicato nella formula per allineare i pannelli.
 It is mandatory to calculate the length of the track as in the formula for aligning the panels.
 Zum Ausrichten der Paneele ist unbedingt erforderlich, die in der Formel angegebene Länge der Schiene einzuhalten.



DIV-1225 SYNCHRO
 TRASCINAMENTO SYNCHRO CON CINGHIA
 SYNCHRO DRAGGING SYSTEM WITH TOOTHED BELT
 SYNCHRO MITNEHMER KIT MIT ZAHNRIEMEN



DIV-1275 MECH.
 TRASCINAMENTO MECCANICO
 MECHANICAL DRAGGING SYSTEM
 MIT MECHANISCHEM MITNEHMER