

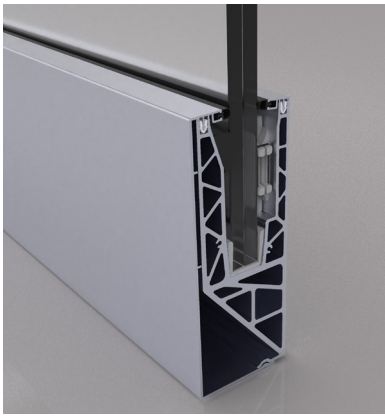
## B-8200 CMR BALCONY / B-8200-G CMR BALCONY

€ H.23

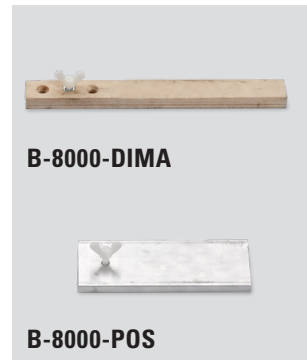
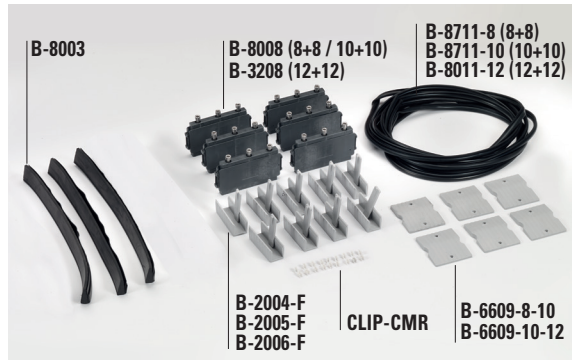
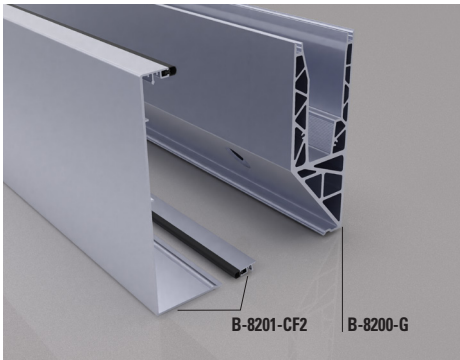
- Balastra a montaggio laterale regolabile.
- Adjustable railing system, side installation.
- Verstellbares Ganzglasgeländer System Seitenmontage.



STAIRS / SIDE  
INSTALLATION



## COMPONENTI / COMPONENTS / EINZELTEILE



### B-8200-G+B-8201-CF2

- Profilo balaustra + 2 Vele
- Railing profile + 2 Cover profiles
- Profil für Geländer mit 2 Abdeckungen

### B-SET-CMR-N-8 / B-SET-CMR-N-10 / B-SET-CMR-N-12

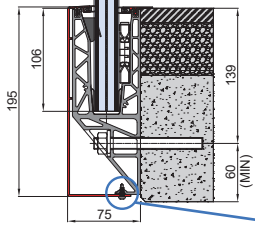
- Set morsetti e guarnizioni
- Set clamps and gaskets
- Set Klemmen und Dichtungen

### B-8000-DIMA

- Accessori per montaggio facile e veloce (vedi video)
- Accessories for easy and quick installation (see video)
- Zubehör für einfache und schnelle Montage (Siehe Video)

12+12 (pvb 1.52)  
10+10 (pvb 1.52)  
8+8 (pvb 1.52)

-1,5°  
+1,5°

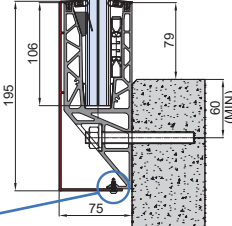


B-8200-G  
B-8201-CF2  
B-8200

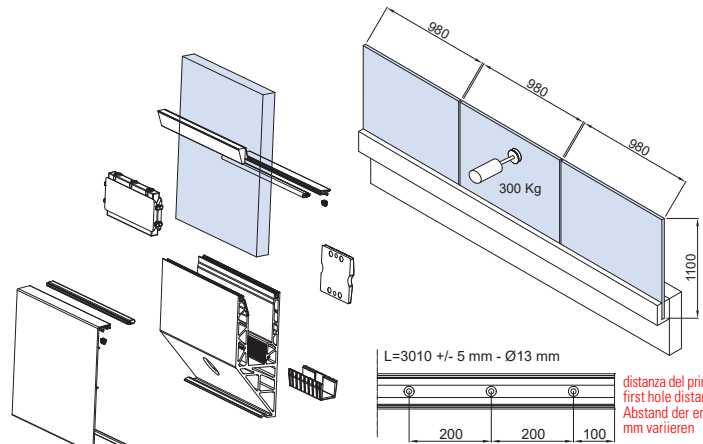
Vite autofilettante a cura del cliente  
Self-tapping screw by customer  
Selbstschneidende Schraube vom Kunden

12+12 (pvb 1.52)  
10+10 (pvb 1.52)  
8+8 (pvb 1.52)

-1,5°  
+1,5°



B-8200-G  
B-8201+B-8001



distanza del primo foro può variare di +/- 5 mm  
first hole distance may vary by +/- 5 mm  
Abstand der ersten Bohrung kann um +/- 5 mm variieren

XME605B

STAIRS / SIDE  
INSTALLATION

| Set completo/mt L = 3000 / 6000 mm<br>Complete set/mt L = 3000 / 6000 mm<br>Komplett-Set L = 3000 / 6000 mm | FIN.<br>FIN.<br>OB. | Vetro<br>Glass<br>Glas | Morsetti/mt<br>Clamps/mt<br>Klemmen/ftm | Testato spinta<br>Test side force<br>Getestete Seitenkraft | Classe<br>Class IT<br>Klasse | Testato<br>Tested<br>Bestätigte horizontale Nutzlast |
|---|---------------------|------------------------|---|--|------------------------------|--|
| <b>B-8200 SET 1,5 KN 8</b>  | AN-IXE              | 8+8 1,52 pvb           | 2                                       | 150 kg   | 1                            | 1 kN/m = 100 kg/m                                    |
| <b>B-8200 SET 3 KN 10</b>   | AN-IXE              | 10+10 1,52 pvb         | 2                                       | 300 kg   | 2                            | 2 kN/m = 200 kg/m                                    |
| <b>B-8200 SET 4,5 KN 12</b>   | AN-IXE              | 12+12 1,52 pvb         | 4                                       | 450 kg   | 3                            | 3 kN/m = 300 kg/m                                    |
| <b>*B-8200-G SET 1,5 KN 8</b>   | GR                  | 8+8 1,52 pvb           | 2                                       | 150 kg   | 1                            | 1 kN/m = 100 kg/m                                    |
| <b>*B-8200-G SET 3 KN 10</b>  | GR                  | 10+10 1,52 pvb         | 2                                       | 300 kg   | 2                            | 2 kN/m = 200 kg/m                                    |
| <b>*B-8200-G SET 4,5 KN 12</b>  | GR                  | 12+12 1,52 pvb         | 4                                       | 450 kg   | 3                            | 3 kN/m = 300 kg/m                                    |

\*senza velle / without cover profiles / ohne Abdeckungen

| SET COMPOSTO DA<br>SET CONSISTING OF<br>SET BESTEHEND AUS | FIN.<br>FIN.<br>OB. | B-8200<br>SET 1,5 KN 8 | B-8200<br>SET 3 KN 10 | B-8200<br>SET 4,5 KN 12 | B-8200-G<br>SET 1,5 KN 8 | B-8200-G<br>SET 3 KN 10 | B-8200-G<br>SET 4,5 KN 12 |
|---|---------------------|------------------------|-----------------------|-------------------------|--------------------------|-------------------------|---------------------------|
| B-8200-G  | GR                  | 1 pc L = 3000 mm       | 1 pc L = 3000 mm      | 1 pc L = 3000 mm        | 1 pc L = 3000 mm         | 1 pc L = 3000 mm        | 1 pc L = 3000 mm          |
| B-8201-CF2  | AN-IXE              | 1                      | 1                     | 1                       | -                        | -                       | -                         |
| B-SET-CMR-N-8   | -                   | 1                      | -                     | -                       | 1                        | -                       | -                         |
| B-SET-CMR-N-10  | -                   | -                      | 1                     | -                       | -                        | 1                       | -                         |
| B-SET-CMR-N-12  | -                   | -                      | -                     | 1                       | -                        | -                       | 1                         |