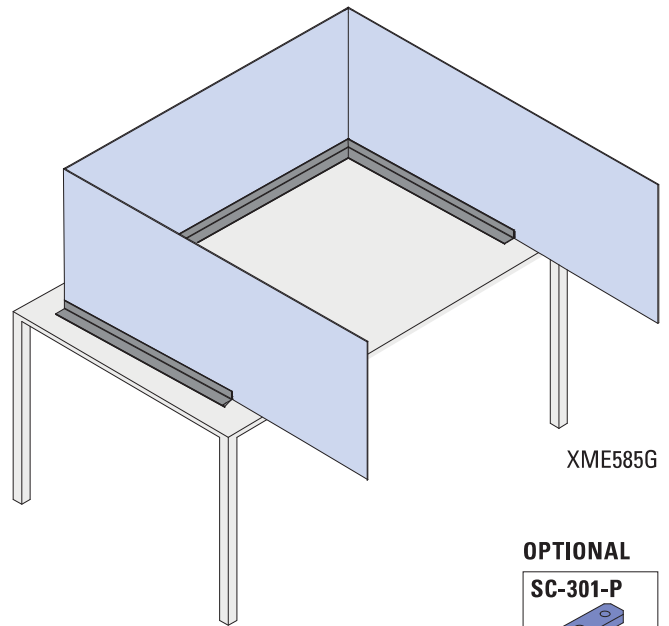
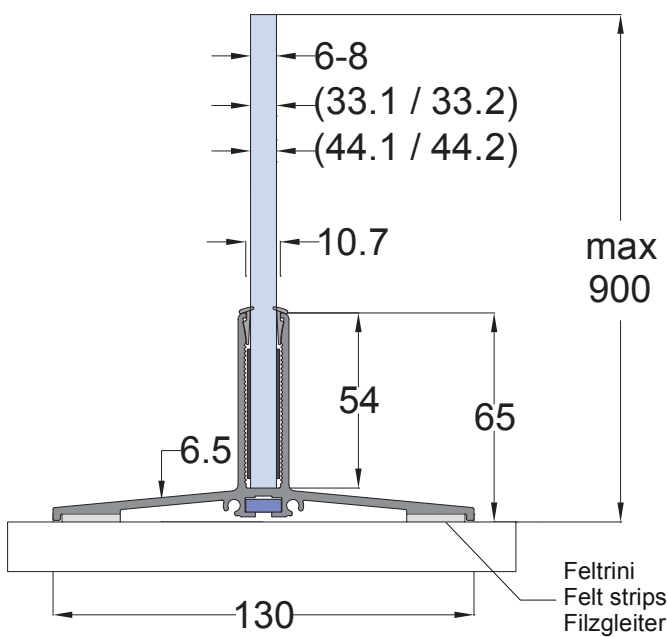
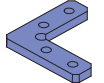


# SC-300-6 / SC-300-8 CORNER SCREEN

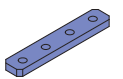


**OPTIONAL**

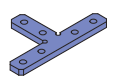
**SC-301-P**



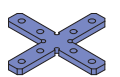
**SC-302-P**



**SC-303-P**

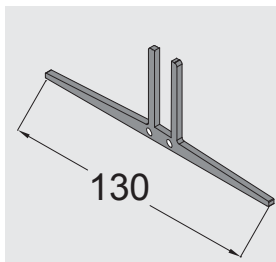
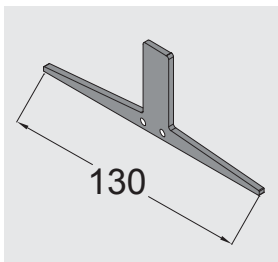


**SC-304-P**



**SC-306 (optional)**

**SC-307 (optional)**



Cod.	Fin./Fin./Oberf.	
SC-300-6 FIX 3000 mm	for 6 mm	AN / GR
SC-300-8 FIX 3000 mm	for 8 mm	AN / GR
SC-300-6*	for 6 mm	AN / GR
SC-300-8*	for 8 mm	AN / GR

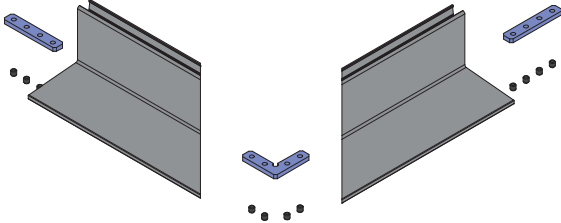
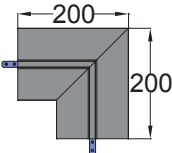
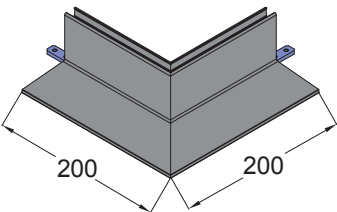
\* disponibilità taglio a misura mm 500→3000  
 \* cut to size mm 500→3000  
 \* nach Mass geschnitten mm 500→3000

**GIUNTI / JOINTS / VERBINDER**

**SC-301**

- Giunto ad angolo
- Corner joint
- Winkelverbinder

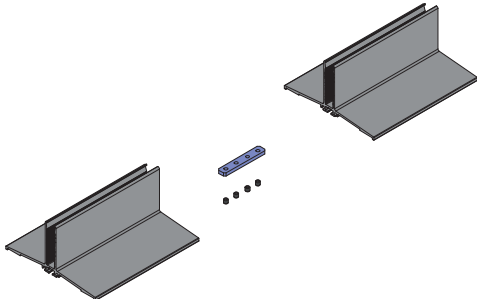
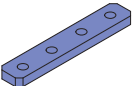
AN



**SC-302-P**

- Piastra di collegamento in linea
- Straight connection plate
- Verbindungsplatte in Linie

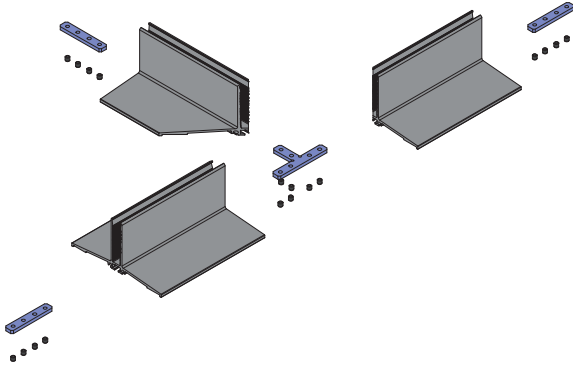
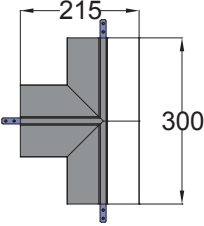
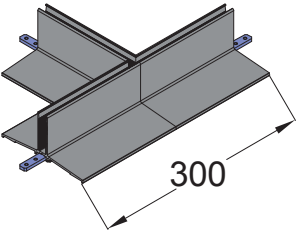
AN



**SC-303**

- Giunto a 3 vie
- 3-ways joint
- 3 Wege Verbinder

AN



**SC-304**

- Giunto a 4 vie
- 4-ways joint
- 4 Wege Verbinder

AN

